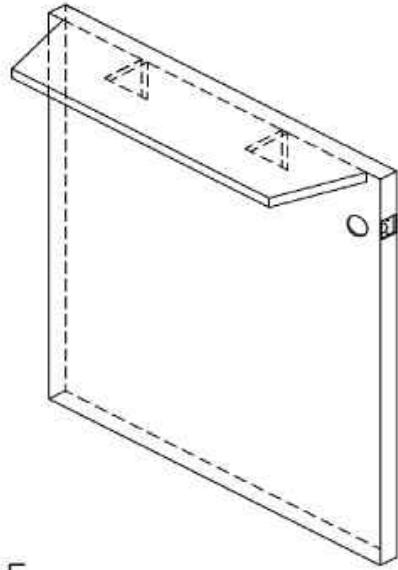
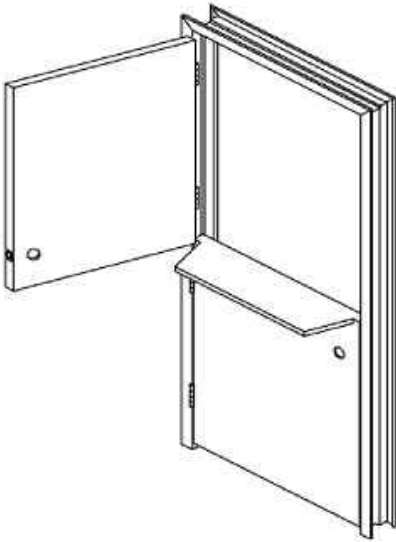
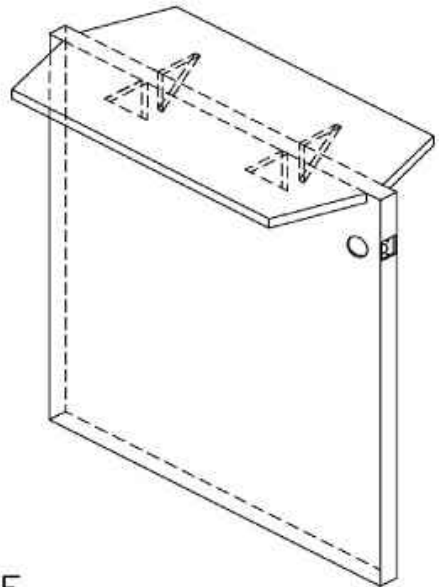
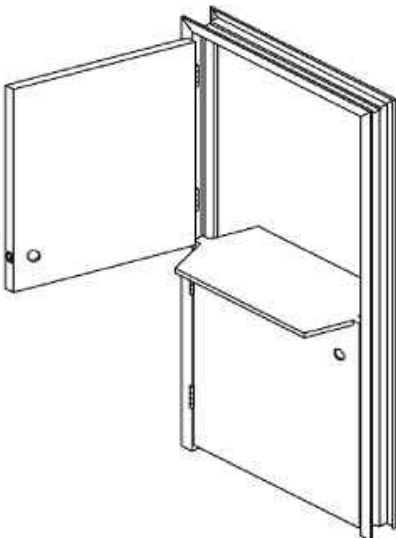


Dutch Door



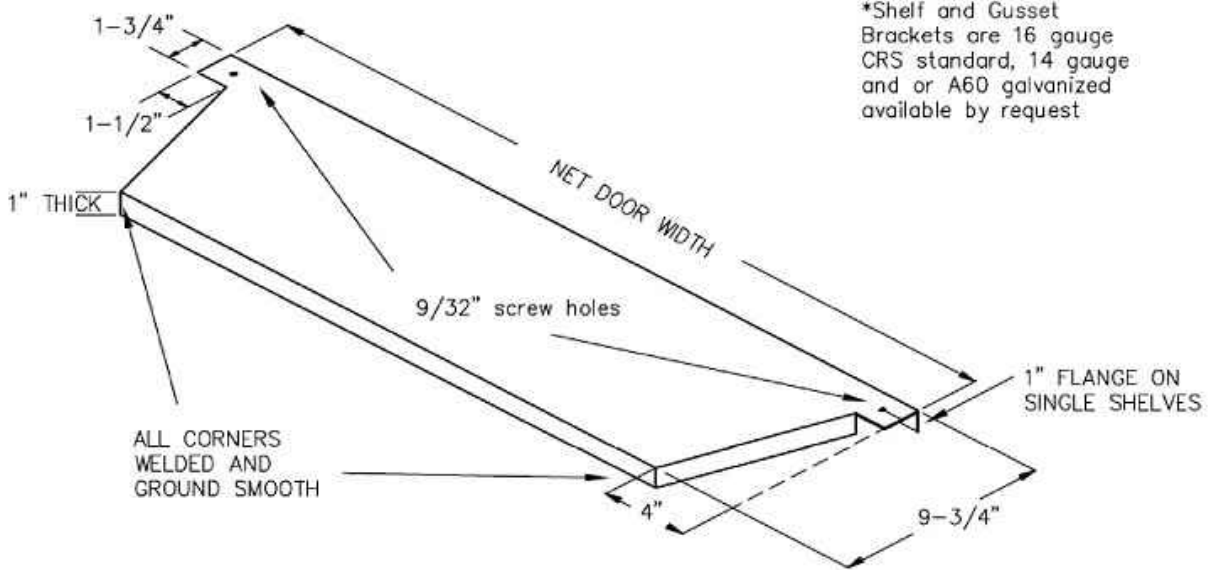
HALF SHELF



FULL SHELF

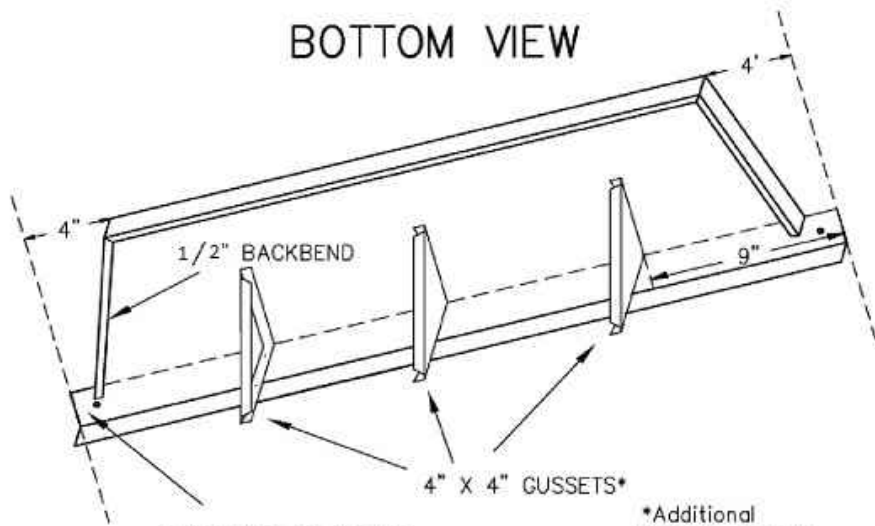
Dutch Door Half Shelf Detail

TOP VIEW



*Shelf and Gusset Brackets are 16 gauge CRS standard, 14 gauge and or A60 galvanized available by request

BOTTOM VIEW

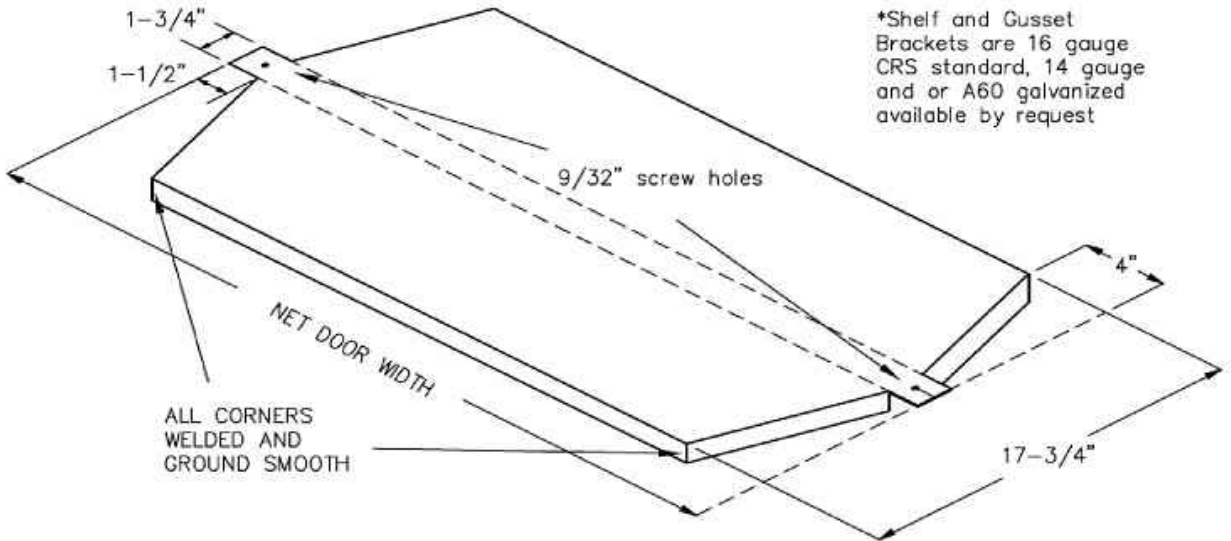


CUSTOMER TO CUT OR GRIND BEVEL ON END OF SHELF TO MATCH DOOR BEVEL AT INSTALLATION

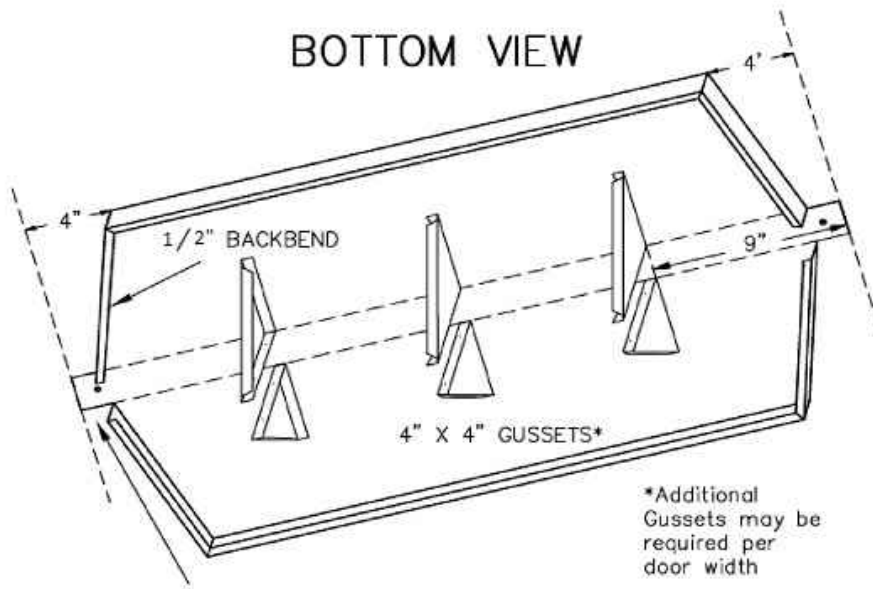
*Additional Gussets may be required per door width

Dutch Door Full Shelf Detail

TOP VIEW



BOTTOM VIEW



CUSTOMER TO CUT OR GRIND BEVEL ON END OF SHELF TO MATCH DOOR BEVEL AT INSTALLATION