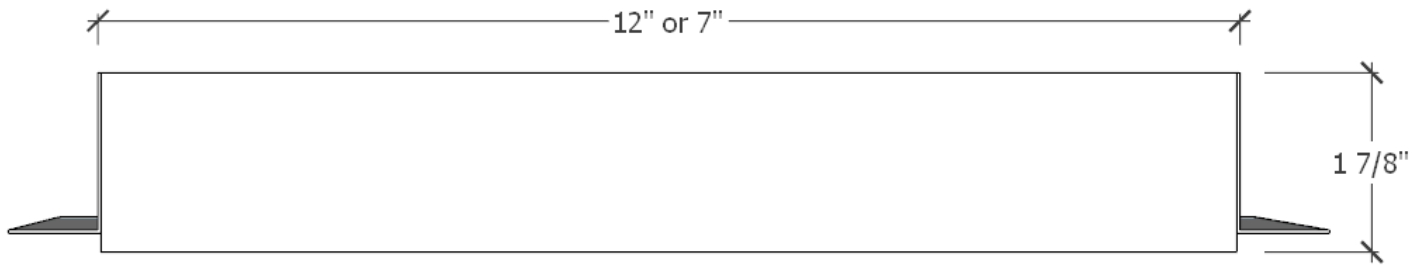
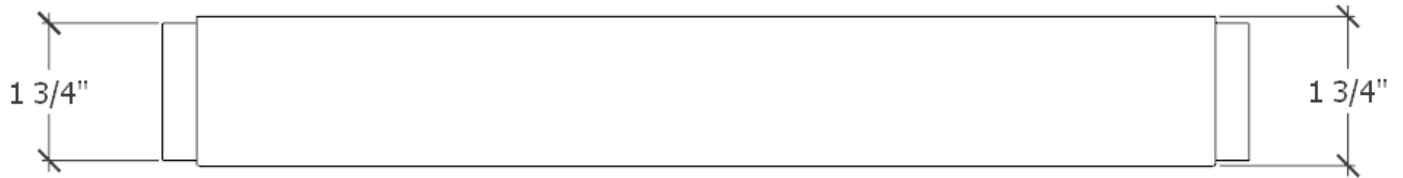


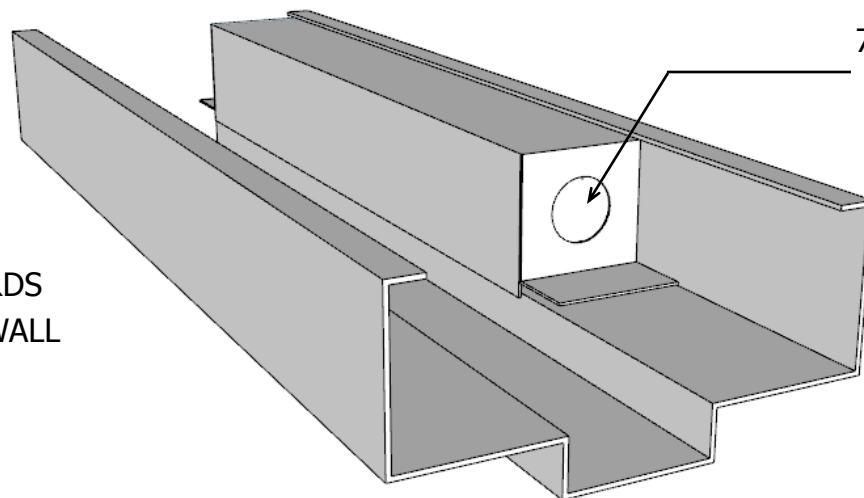
BUTT TO FACE * MAX. 1 5/8" DEPTH



THIS END TOWARDS SOFFIT



TOP VIEW



*ADJUST TOWARDS
SOFFIT FOR DRYWALL
RETURNS

MAT'L: 20GA GALVN

TO BE
CAULKED IN
THE FIELD

ELECTRICAL JUNCTION BOX | 12" & 7" WIDTH