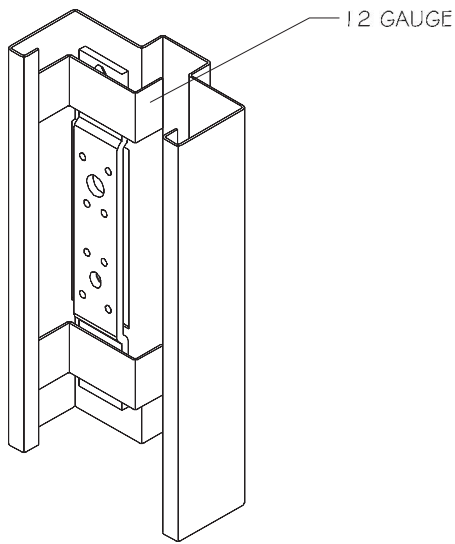
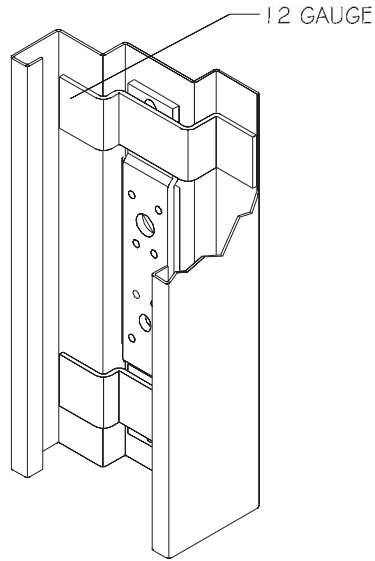


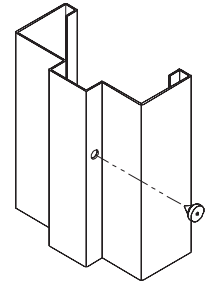
Hardware Preps



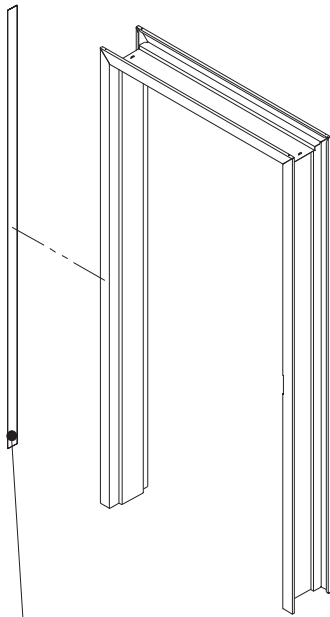
OPTIONAL HIGH FREQUENCY HINGE REINFORCEMENT WELDED IN



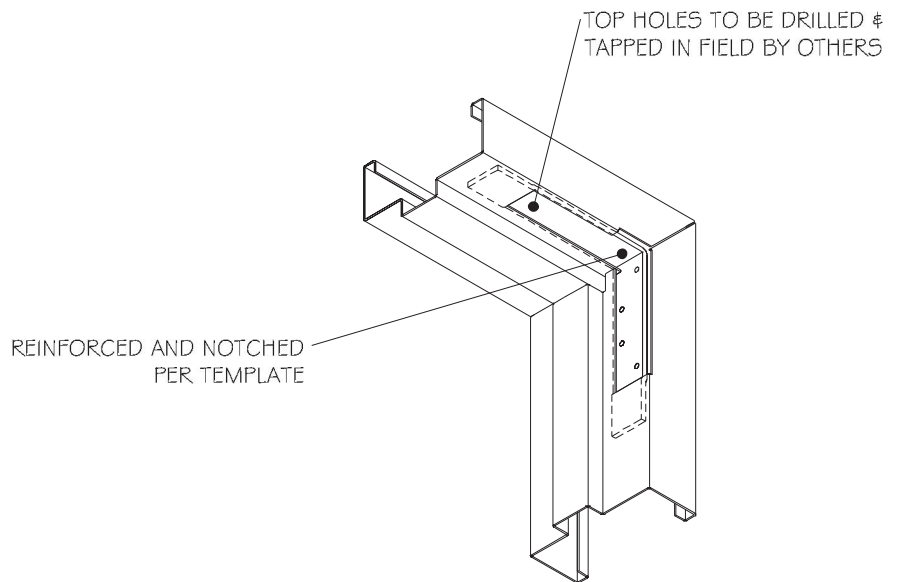
OPTIONAL DOUBLE EGRESS HIGH FREQUENCY HINGE REINFORCEMENT WELDED IN



SILENCER BUTTON PREP STANDARD ON HOLLOW METAL FRAMES

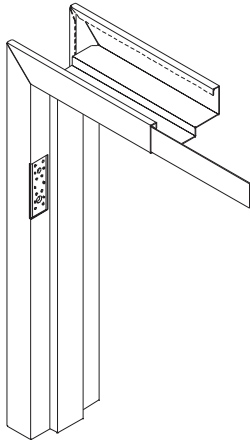


OPTIONAL FULL LENGTH 16 GA. CONTINUOUS HINGE REINFORCEMENT ON FACE OR RABBET

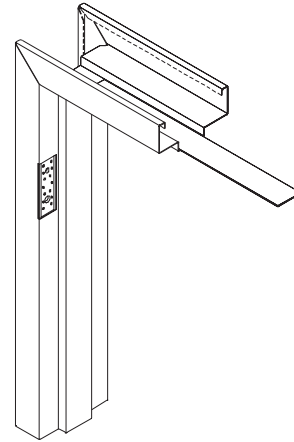


OPTIONAL ANCHOR HINGE PREP, CONSULT FACTORY FOR OTHER ANCHOR HINGE PREPS

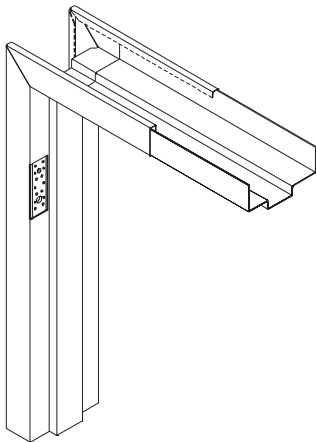
Hardware Preps



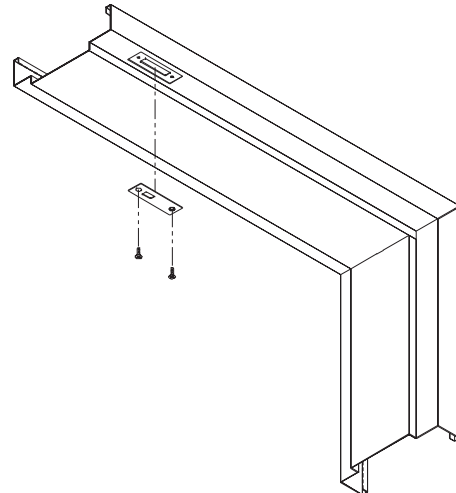
REGULAR ARM CLOSER REINFORCEMENT
16" LONG x 12 GA. WELDED TO FRAME



PARALLEL ARM CLOSER REINFORCEMENT
16" LONG x 12 GA. WELDED TO FRAME



UNIVERSAL SLEEVE CLOSER REINFORCEMENT
12" LONG x 14 GA. SLIDES IN STANDARD
12 GA. REQUIRED FOR UL.



REVERSIBLE FLUSH BOLT PREP
FOR USE ON PAIRS OF DOORS