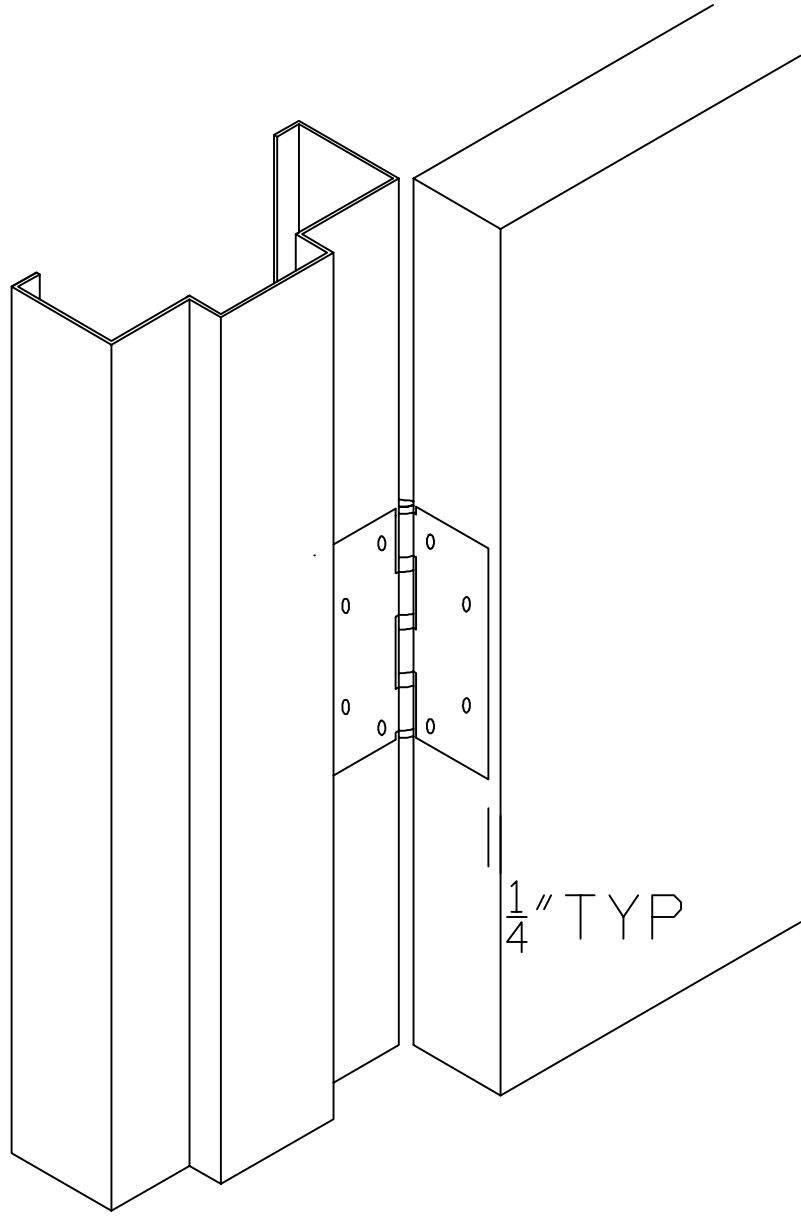




2501 Northchase Pkwy.
Wilmington, NC 28405
Phone: (910) 452-1845
Fax: (910) 452-1848



APPROVED BY:

DATE

7/8/10

HingePrep.dwg

HINGE PREP

NOTES:

DRAWN BY:
BRICE POSTON