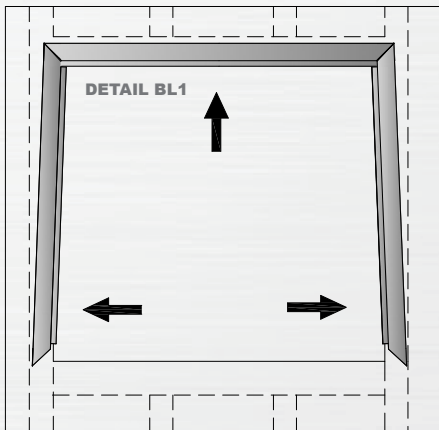


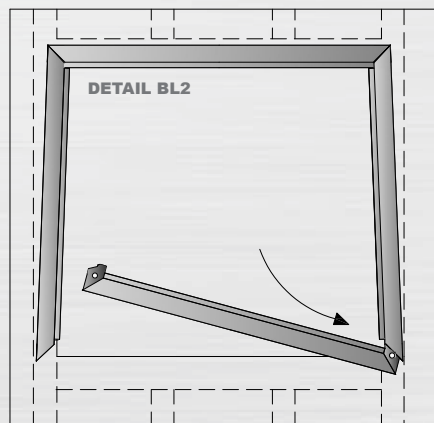
## Installing a KD Drywall 4-sided Borrowed Light Frame (Mitered sill for installation off the floor)

1) Verify rough opening is correct and is plumb, true, and square

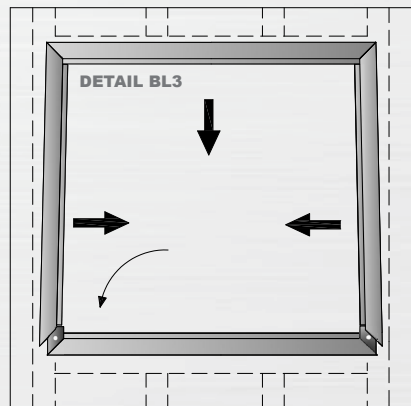
2) Install a jamb, head, and other jamb — be sure to push bottom of jambs all the way up and out of opening (see detail BL1)



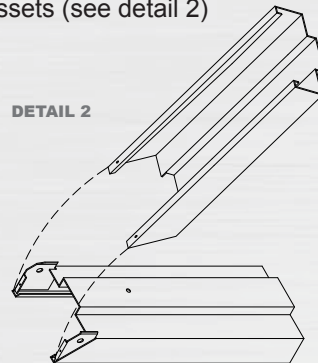
3) Angle sill into opening and push it toward wall as far as possible (see detail BL2)



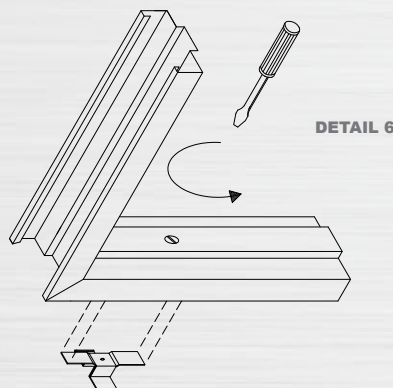
4) Swing other side of sill down past jamb and into place (see detail BL3)



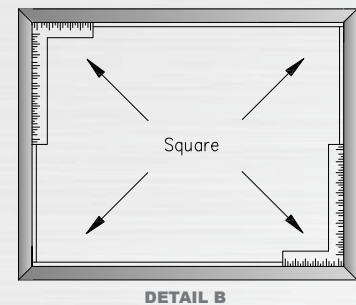
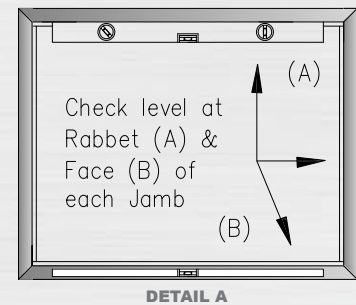
5) Pull jambs and horizontal pieces together while engaging all corner gussets (see detail 2)



6) Make compression anchors hand-tight, assuring sill is level (see detail 6)

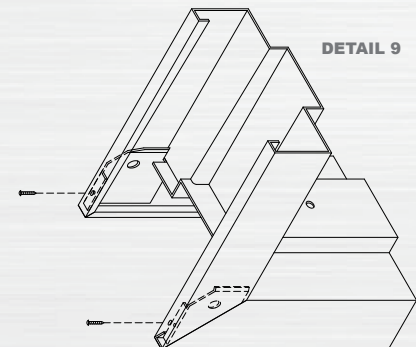


7) Square jambs to sill and make sure head is level and square (see details A & B)



8) Finish tightening compression anchors at head and sill while making sure opening stays level and square

9) Install screws in jambs at corner gussets (see detail 9)



10) Secure or save glass bead for installation of glass and glazing