

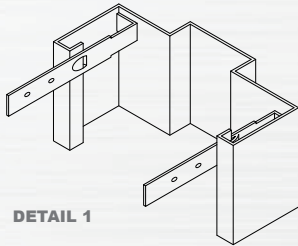
HMF EXPRESS

(910) 452-1845 | Fax: (910) 452-1848 | www.HMFExpress.com

Installing a KD Drywall Transom Frame

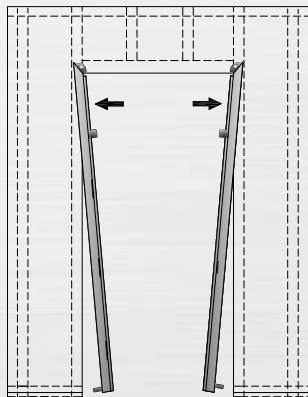
1) Verify rough opening is correct and is plumb, true, and square

2) Install base clips on bottom of jambs (see detail 1)

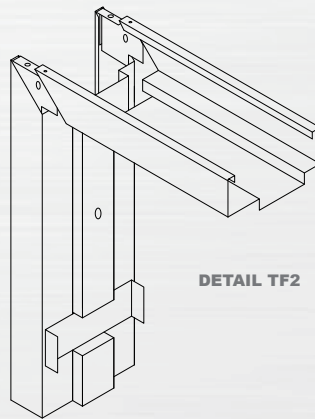


3) Install hinge jamb and strike jamb

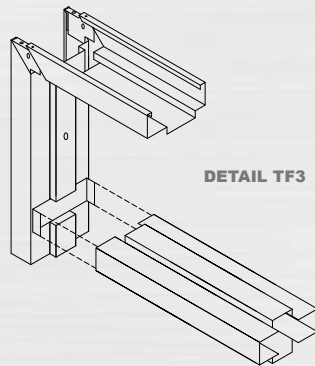
4) Push tops of jambs toward each wall as far as possible (see detail TF1)



5) Push head onto wall above jambs, but do not engage corner gussets at this time (see detail TF2)

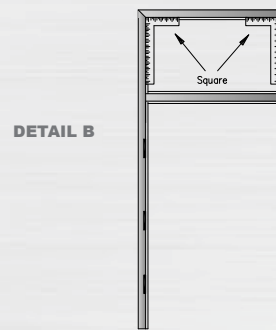
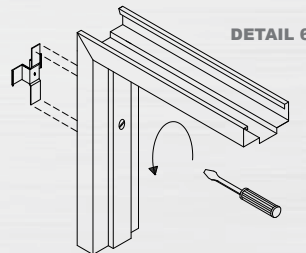


6) Fit one side of transom mullion over bracket in jamb (see detail TF3)



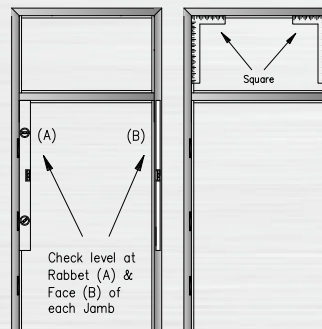
7) Swing transom mullion into place and pull jambs toward mullion to engage brackets (see detail TF3)

8) Make compression anchors hand-tight, assuring jambs are square to head and transom mullion (see detail 6&B)

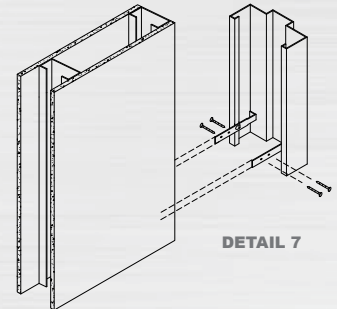


9) Verify opening width at top, middle, and bottom

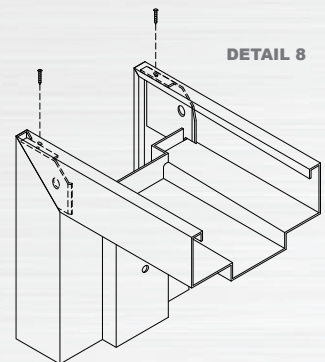
10) Finish tightening compression anchors while making sure jambs and mullion stay plumb, square, and level (see detail A&B)



11) Fasten bottom of jambs to wall (see detail 7)



12) Install screws in head at corner gussets (see detail 8)



13) Secure or save glass bead for installation of glass and glazing