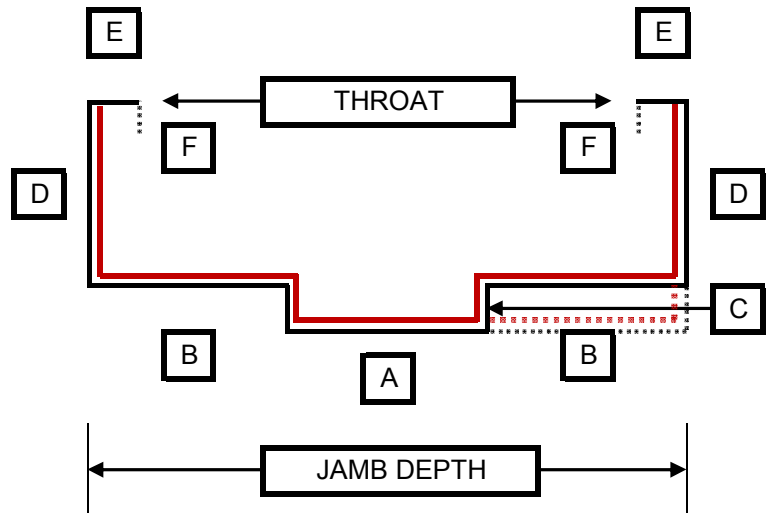
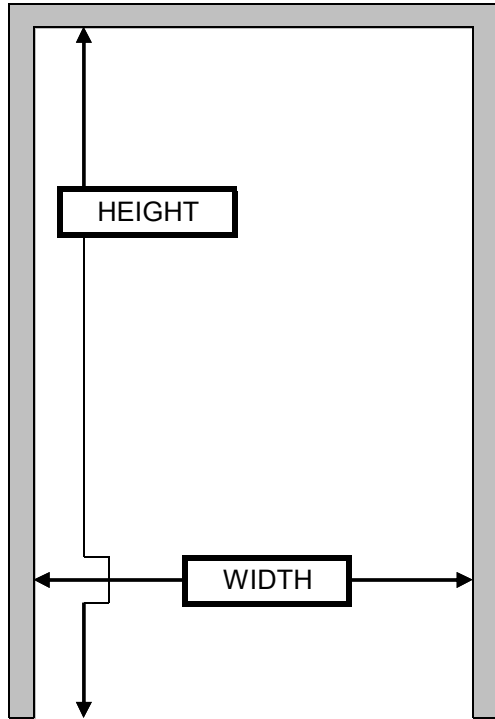


Full Wrap Lead Lined 3-Sided Frames (Profiles Variable)



A = SOFFIT
B = RABBETS
C = STOP
D = FACES
E = RETURNS
F = BACKBEND RETURNS

No Fire Rating Available
Available Welded or as 2-Piece Slip Frame
Rough Opening = Varies per Frame Type
ANCHOR OPTIONS - Compression, SS, Masonry
1/16" or 1/8" Lead Thickness Available
Also Available in Half Wrap for In-Swing Units