

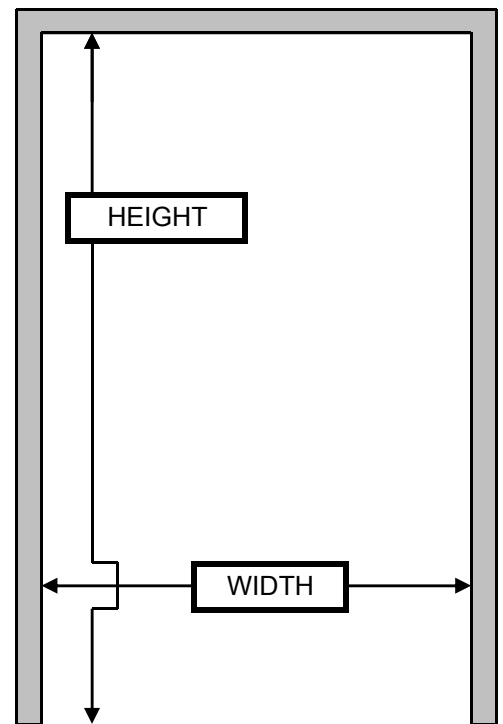
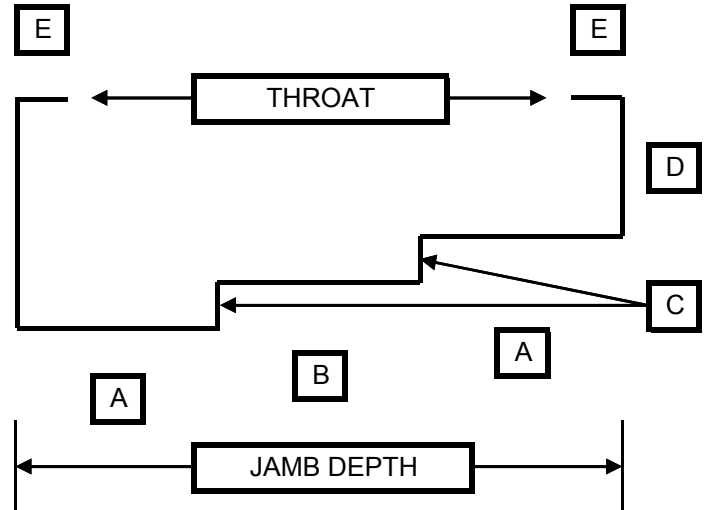
Standard G Profile 3-Sided Frames (Masonry Double Egress)

FRAME PART	3 HOUR UL RATED	90 MIN RATED	NON RATED
THROAT			
MINIMUM	3 3/4"	3 3/4"	3 3/4"
MAXIMUM	13"	13"	No Limit
A=SOFFIT			
MINIMUM	1 13/32"	1 13/32"	1 13/32"
MAXIMUM	6 1/32"	6 1/32"	No Limit
B=RABBET			
MINIMUM	1 9/16"	1 9/16"	5/8"
MAXIMUM	To Suit Door	To Suit Door	No Limit
C=STOPS			
MINIMUM	5/8"	5/8"	5/8"
MAXIMUM	Varies	Varies	No Limit
D=FACE			
MINIMUM	1 3/8"	1 3/8"	5/8"
MAXIMUM	4"	4"	No Limit
E=RETURNS			
MINIMUM	1/2"	1/2"	7/16"
MAXIMUM	3/4"	3/4"	Varies
HEIGHT			
MINIMUM	20"	20"	20"
MAXIMUM	96"	120"	No Limit
WIDTH			
MINIMUM	12"	12"	12"
MAXIMUM	96"	96"	No Limit

Maximum 12 Gauge 90 Minute
Maximum 14 Gauge 3 Hour

Available KD or Welded (Face Only or Continuous)
14 Gauge & 8/0 x 8/0 Max on rated KD openings

Rough Opening = Overall Frame Size + Clearance



ANCHOR OPTIONS

UL - All Anchors except CO, CP, EM & MP

Non UL - SAME