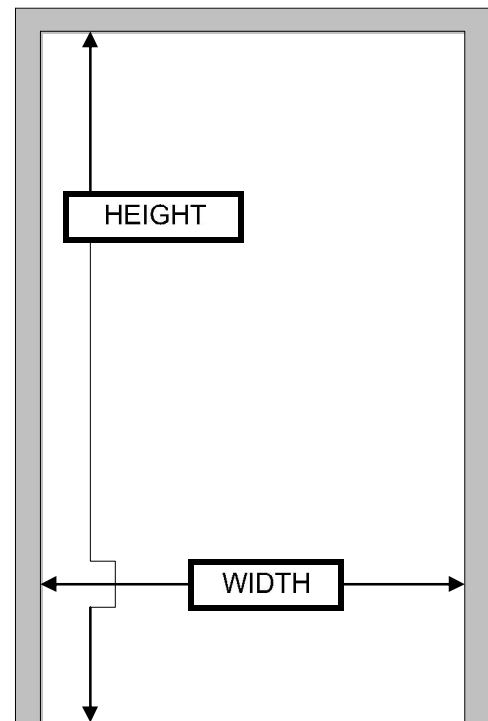
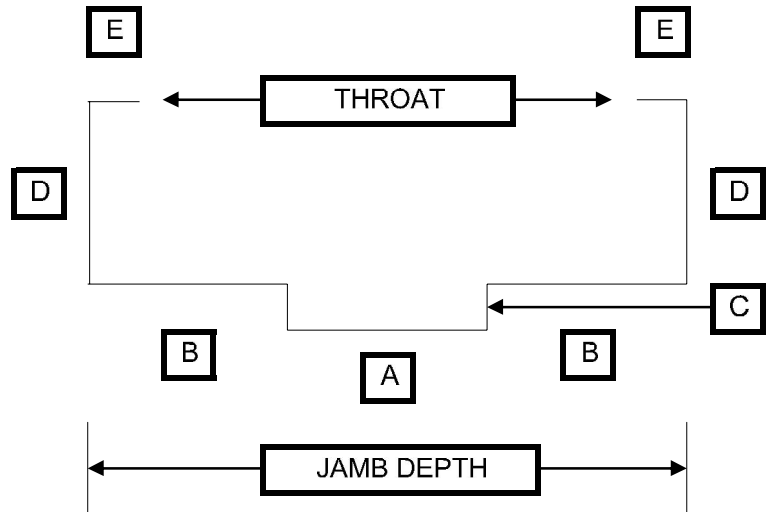


## A-Masonry Double Rabbet

FRAME PART	UL RATED	NON RATED
<b>THROAT</b>		
MINIMUM	3 5/8"	3 1/4"
MAXIMUM	13"	No Limit
<b>A = SOFFIT</b>		
MINIMUM	1"	5/8"
MAXIMUM	10 1/2"	No Limit
<b>B = RABBETS</b>		
MINIMUM	5/8"	5/8"
MAXIMUM	To Suit Door	No Limit
<b>C = STOP</b>		
MINIMUM	5/8"	5/8"
MAXIMUM	Varies	No Limit
<b>D = FACES</b>		
MINIMUM	1 1/4"	5/8"
MAXIMUM	4"	No Limit
<b>E = RETURNS</b>		
MINIMUM	3/8"	0", 3/8"
MAXIMUM	3/4"	No Limit
<b>HEIGHT</b>		
MINIMUM	20"	18"
MAXIMUM	120"	No Limit
<b>WIDTH - SGL.</b>		
MINIMUM	6"	No Limit
MAXIMUM	48"	No Limit
<b>WIDTH PAIR</b>		
MINIMUM	12"	No Limit
MAXIMUM	96"	No Limit



\*\* Maximum Fire Rating = 3 Hour \*\*

Available KD or Welded (Face Only or Continuous)

Rough Opening = Overall Frame Size + Clearance

### ANCHOR OPTIONS

UL - All Existing, Stud, & Masonry types

Non UL - SAME