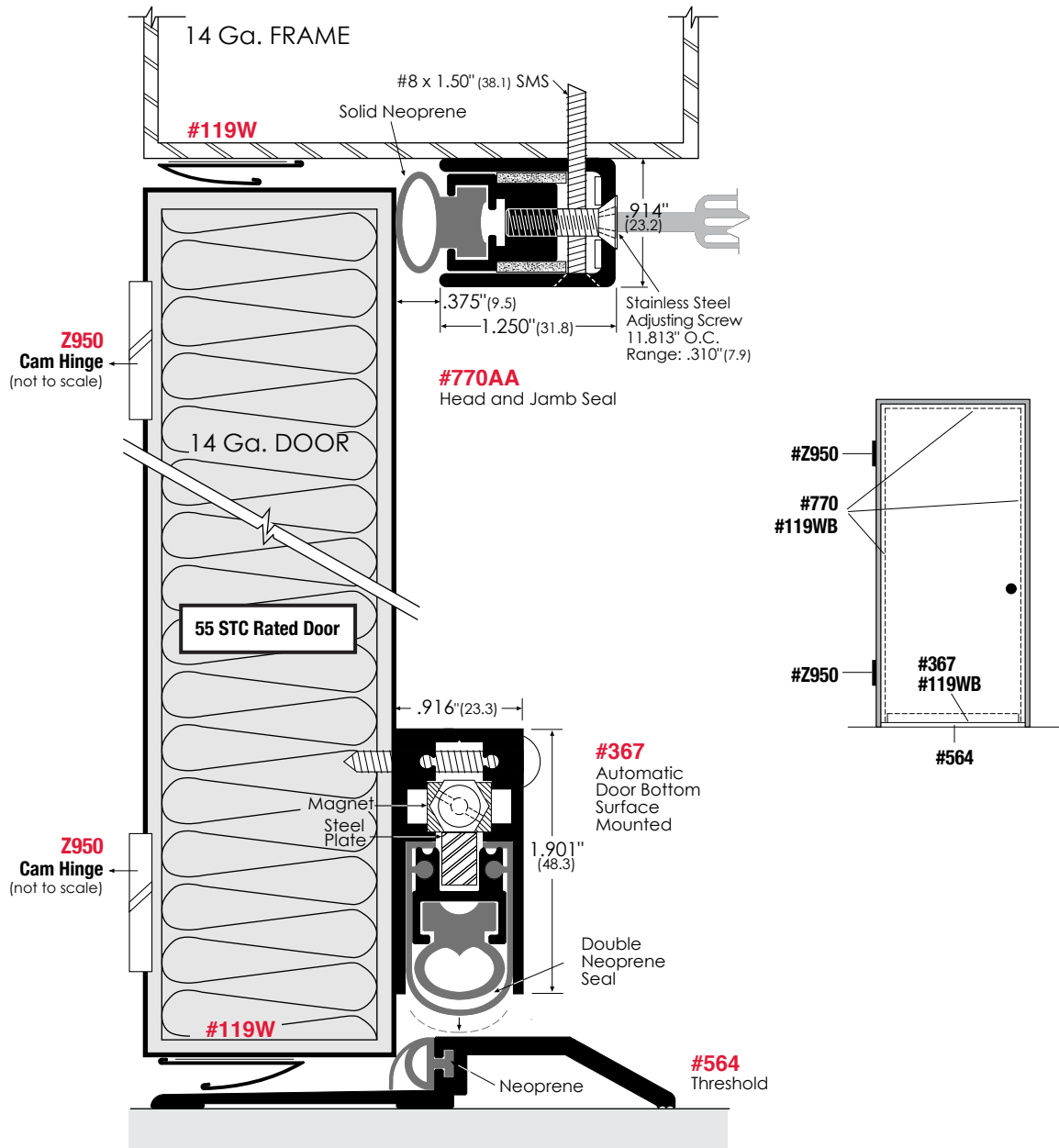


HMF EXPRESS

STC 54 Acoustical Gasketing INSTALLATION INSTRUCTIONS



HMF EXPRESS

Install Zero 564 Threshold

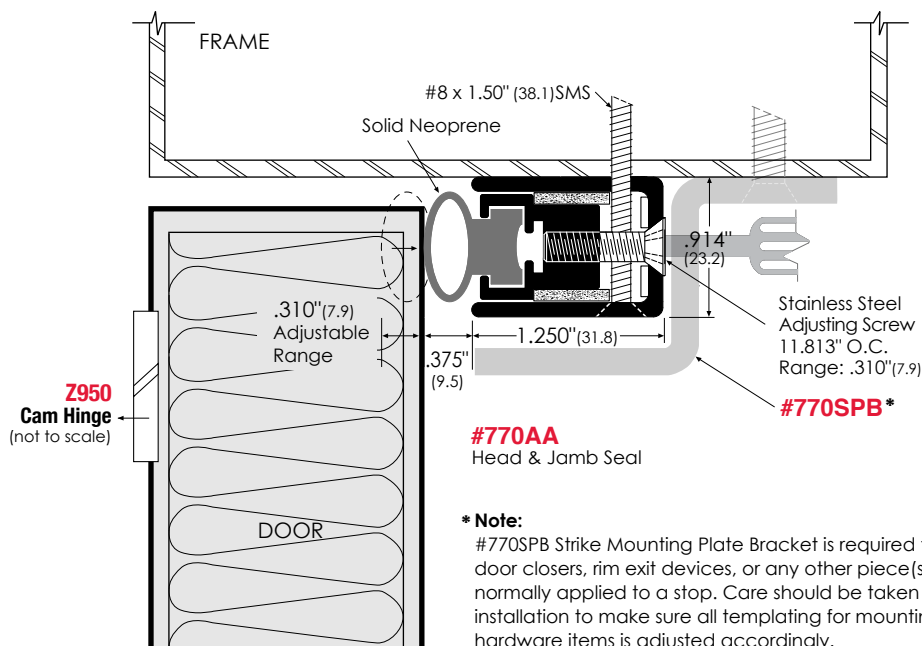
1. Measure and cut threshold to size as required.
2. Notch as necessary, to suit door frame.
3. Caulk underneath and around edges of threshold for moisture control.
4. Attach threshold to floor surface with screws provided.

Install Zero 770 Head and Jamb

1. Close the door and measure the frame opening.
2. Install the #770 (trim as necessary), head piece first. Place the piece against the face of door, making gentle contact between the rubber extrusion seal and the door. Fasten in place.
3. Place hinge side piece against the face of door, making gentle contact between the rubber extrusion seal and the door. Fasten in place.
4. Repeat the same procedure with the lock side.

It is recommended that this gasketing product be set in a bead of caulking to ensure integrity of the seal and prevent additional sound transmission.

5. Adjust the #770 with the adjustment screws for the desired seal and operation of the door.



HMF EXPRESS

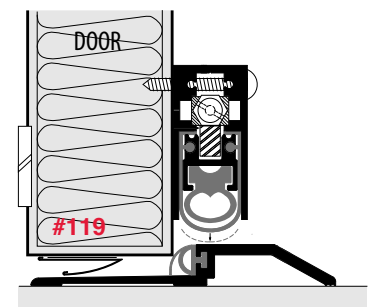
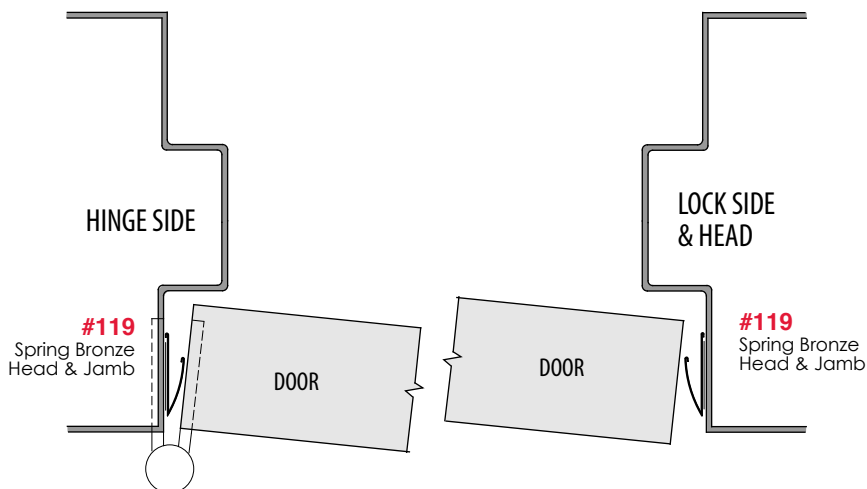
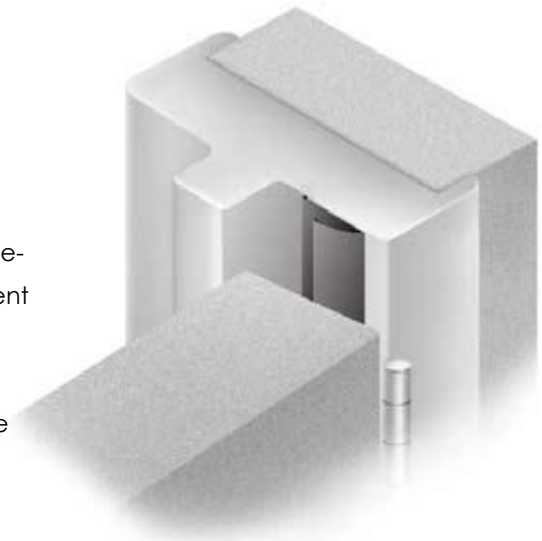
Install Zero 119 Spring Seal

Before Installation :

1. Thoroughly clean the surface of the frame where gasketing is to be applied (see drawings). Use either a solvent cleaner (such as mineral spirit) or a common detergent cleaner. Make sure to check for any impediments (dust, dirt, oil, grease, loose paint, etc.) and remove them from the surface area.
2. Allow surface area to dry COMPLETELY before beginning installation.
3. Recommendation: Finish-paint doors and frames and allow the paint to dry before installing the gasketing.

How To Install :

1. Install the head piece first along the entire length of the head. Measure and cut the gasketing to size and place properly, referring to drawings for location on the head. Remove the paper backing from the self-adhesive strip (PSA), align on the head and press firmly into place.
2. Install the strike/ lock jamb gasketing next, following procedures as outlined in step 1. (Refer to drawing for placement on the strike jamb.)
3. Install the hinge jamb gasketing, following procedures as outlined in step 1. (Refer to drawing for placement on the hinge jamb.)
4. Install the bottom gasketing last, following procedures as outlined in step 1. (Refer to drawing for placement on the hinge jamb.)



Once all seals are installed and adjusted, check door for closing and latching to ensure proper installation.

HMF EXPRESS

Install Zero 367 Automatic Door Bottom

1. Cut the automatic door to fit between the #770 gasketing previously installed on the jambs. (See also trimming instructions supplied with the automatic door bottoms.)
2. Fasten the #367 so that there will be a space of 3/8" between the neoprene (rubber) and the top of the #564 threshold.
3. Adjust the door bottom as needed by turning the adjustment screw for the proper seal.

