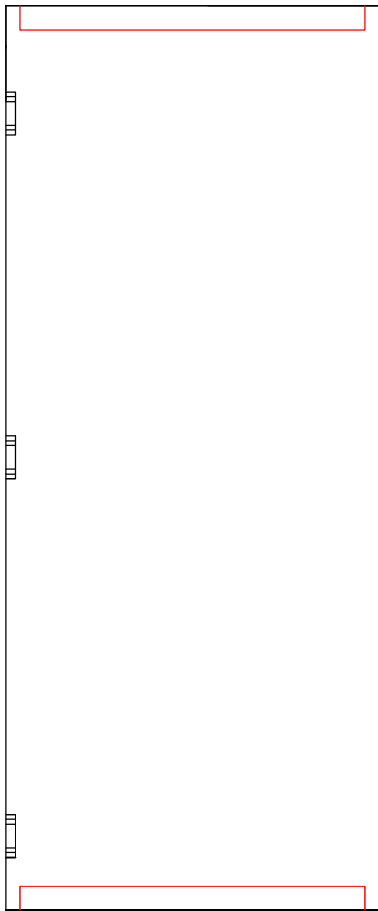
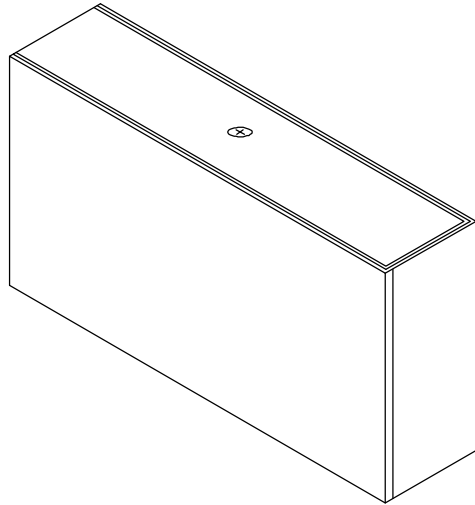
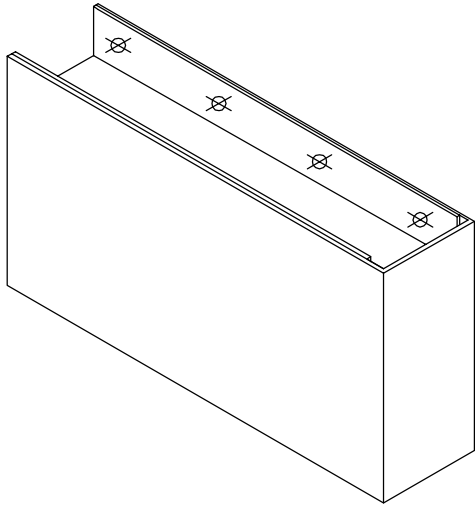
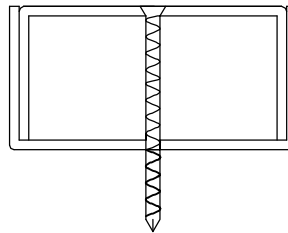




2501 Northchase Pkwy.  
Wilmington, NC 28405  
Phone: (910) 452-1845  
Fax: (910) 452-1848



#8/ 1 1/4" SCREW  
FHMS



APPROVED BY:

DATE

6/21/10

DRAWN BY:  
BRICE POSTON

CapFlushTop.dwg

SCREW-IN  
TOP/BOTTOM CAPS

NOTES: