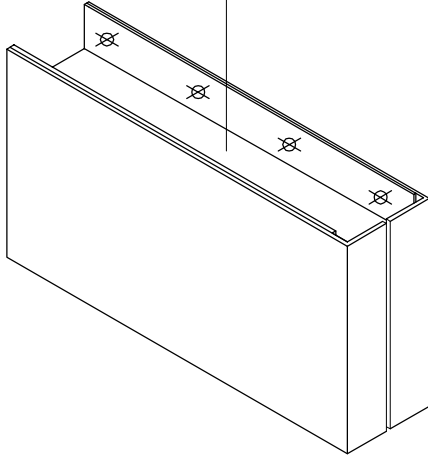
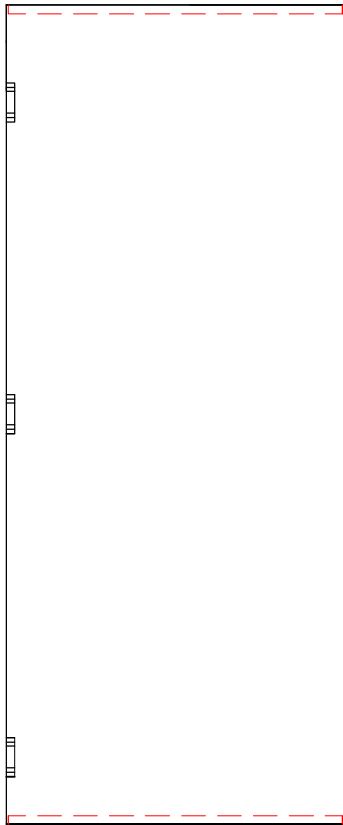


14 GA. INVERTED "U" CHANNEL  
 TYPICAL TOP AND BOTTOM



NOTE: TOP AND BOTTOM CHANNELS  
 SPOT WELDED 2" FROM EACH  
 END AND 4" O.C.



VARIES  
 WITH GAUGE  
 OF DOOR

BE

APPROVED BY:	DATE	STANDARD TOP AND BOTTOM CHANNEL BUTT EDGE	NOTES:
	6/21/10		
DRAWN BY: BRICE POSTON	StandardTopand BottomChannelBE.dwg		