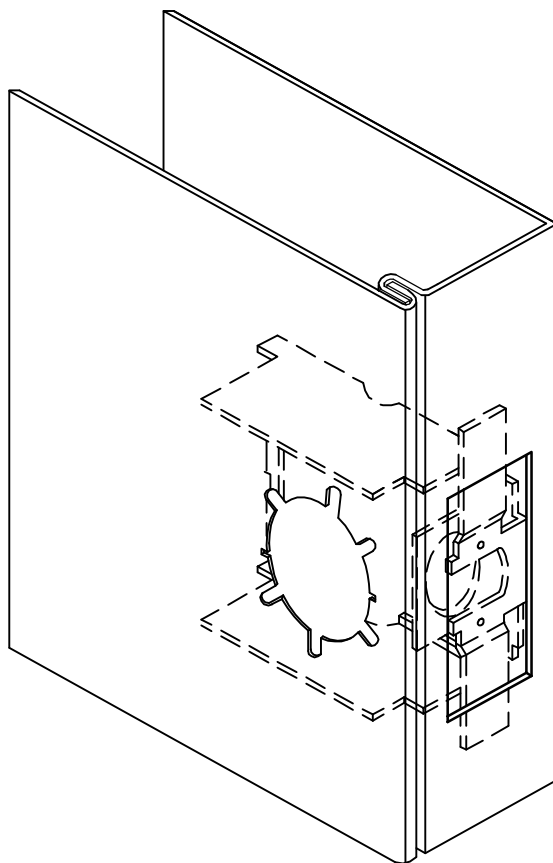
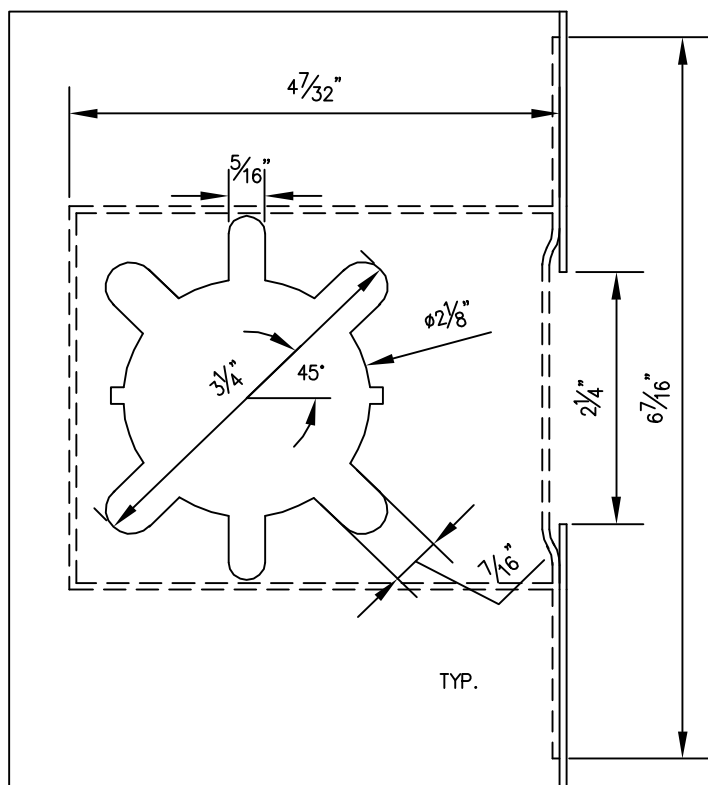


Universal 161 "Turtle Prep - Cylindrical

161 Lock Prep



Must specify 2 $\frac{3}{8}$ " or 2 $\frac{3}{4}$ " backset