

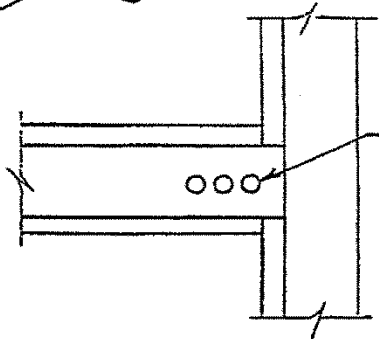
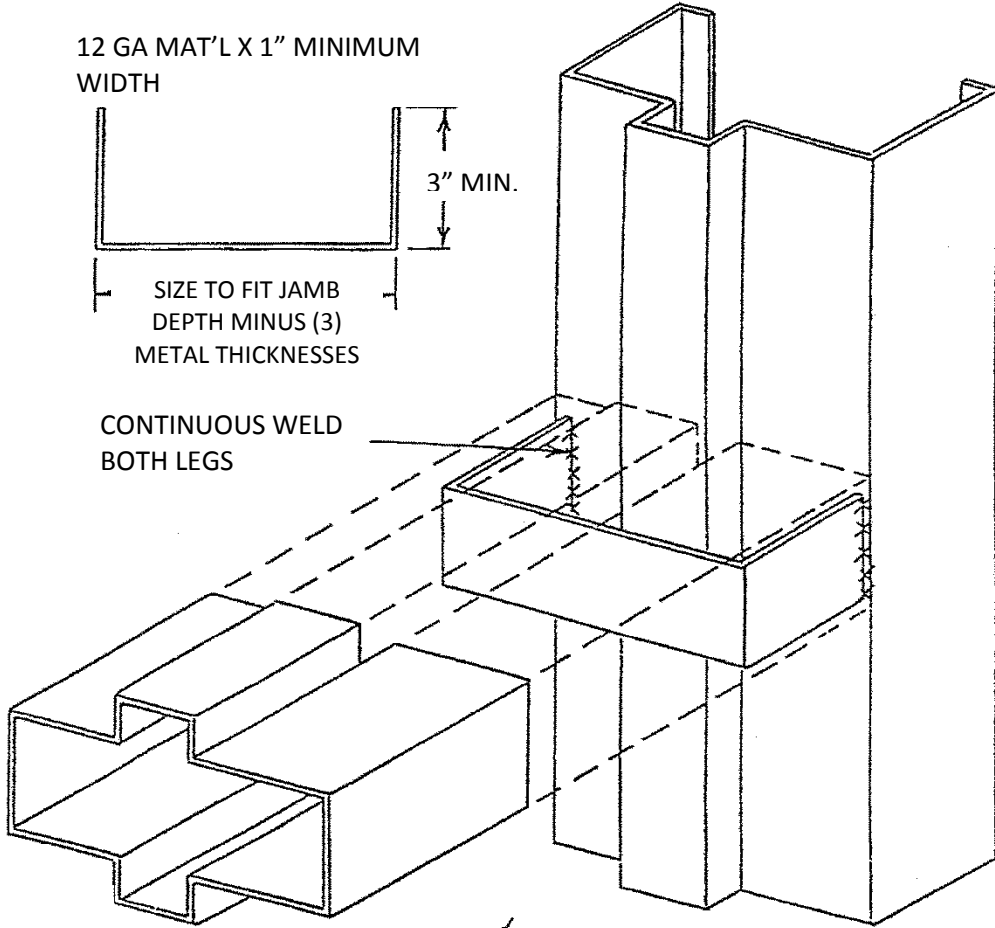
U.L. FIELD SPLICE MULLION

12 GA MAT'L X 1" MINIMUM
WIDTH



SIZE TO FIT JAMB
DEPTH MINUS (3)
METAL THICKNESSES

CONTINUOUS WELD
BOTH LEGS



USE (3) #10 PAN HEAD S.M.S.
PER SIDE WHILE PLACEMENT
OF SCREWS MAY VARY

HMF EXPRESS